

MLW 6K

- 30 ft. -3-stage manual elevation, 350° rotation
- 4 x 1000W Metal Halide Lamps
- Illumination capacity 404,000 Lumen
- Kohler Diesel engine
- MeccAlte alternator LT3N (specific for Light Towers)
- Metal canopy
- Manual cable winches for mast extension and tilt
- 4-point stability/ leveling system
- Tie-downs and fork pockets (on top of mast)
- Wind rating of 65mph - 105km/h (stabilizers deployed)
- Complete with engine and battery liquids
- 77 Hours run-time



Main applications:

- Construction
- Road works
- Industrial applications

GENERATING SET
MLW 6K
DIESEL ENGINE

BRAND		Kohler
MODEL		KDW1003
COOLING SYSTEM	Type	Liquid
SPEED	rpm	1500
DISPLACEMENT	cc	1000
CYLINDERS & DISPOSITION	n° disp.	3 in line
ASPIRATION	Type	Natural
ENGINE POWER PRP	bhp	12
ENGINE POWER LTP	bhp	13.4
FUEL CONSUMPTION (Lights only)	gph (Lt./h)	0.43 (1.6)
FUEL CONSUMPTION (100% load PRP) gph	(Lt./h)	0.66 (2.5)
SPECIFIC CONSUMPTION (100% load PRP)	lb/hph (g/kWh)	0.429 (265)
ENGINE GOVERNOR (Standard)	Type	Mechanical
ELECTRICAL SYSTEM (DC)	Volt	12

TECHNICAL DATA

PRIME POWER PRP	kVA/KW	6
VOLTAGE	Volt	230
PHASES	N	1-Split-Phase
FREQUENCY	Hz	50
POWER FACTOR	Cos Φ	0.9
TANK CAPACITY	US Gallon (Liter)	33 (124)
RUNNING-TIME (Lights only)	Hrs	77
RUNNING-TIME (100% load PRP)	Hrs	47
TRAVEL DIMENSIONS (LxWxh)	inch (mm)	178.8"x49"x71.8" (4542x1245x1824)
OPERATING DIMENSIONS (LxWxh)	inch (mm)	118.8"x109.3"x374.9" (3018x2776x9522)
WEIGHT (DRY)	lbs (kg)	1500 (680)

SYNCHRONOUS ALTERNATOR

MECCALTE		LT3N-130, Specific for Light Towers
POWER AT 27°C	kVA	6
INSULATION	Class	H
MECHANICAL DEGREE OF PROTECTION	Type	IP21
VOLTAGE REGULATION	Type / Model	Capacitor

LAMPS

LIGHT POWER	Watt	4 x 1000
LIGHTS	Type	Metal Halide
TOTAL LUMINOUS FLUX	Lm	404,000
MAST ELEVATION	ft (m)	30 (9.15)



MCP - Manual control panel

ENGINE PROTECTION

- Low Oil Pressure Shutdown
- High Engine Temperature Shutdown

COMMANDS AND OTHERS

- Start/stop with key switch
- Four (4) individual circuit breakers for each lamp

PROTECTION WITH SHUTDOWN

- Engine protection: low oil pressure, high engine temperature
- Main circuit breaker

OUTPUT

- Single Service receptacle: 1 x 16A, 230V



TRAILER AND HANDLING

TRAILER

- Leaf-spring suspensions
- Metal Fenders
- Rear lights (position+brake)

HANDLING

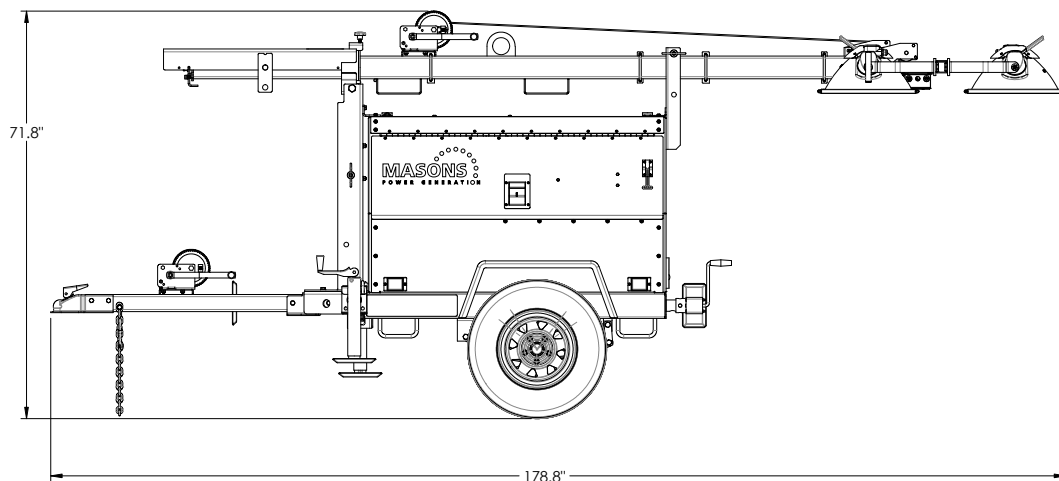
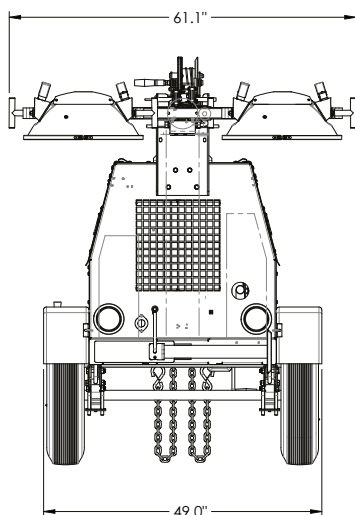
- Forklift pockets on the mast
- Tie-down on trailer deck

MAST

- Three-stage telescopic with 30 ft. elevation and manual cable winches for lift-up and tilt
- 350 degree manual rotation
- Safety lock in vertical position

STABILIZERS

- Four stabilizers with manual rotation for travel configuration
- Retractable side stabilizers for 65mph wind rating





www.masonsgenerators.com

MASONS DISTRIBUTOR IN YOUR AREA IS:

PR MIDDLE EAST FZE

1206 JAFZA View 18, P.O. Box 262478 - Jebel Ali Free Zone - South 1, Dubai
Tel.: +971 4 8865275 - Fax: +971 4 8865276